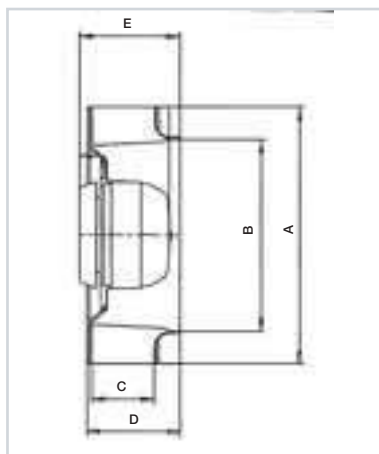


VENTILATORI RADIALI CON PALE ROVESCE

RADIAL FANS WITH REVERSED BLADES



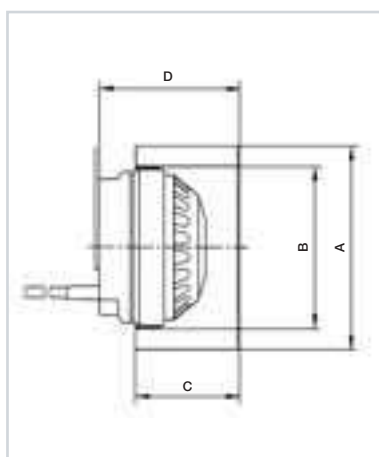
Ventilatori a semplice aspirazione, monofasi, a 2 o 4 poli, con condensatore permanente o a poli schermati.
230 V - 50 Hz
Costruite in nylon caricato vetro.

*Suction fans, single-phase, 2/4 poles, with permanent or shielded-pole condenser.
230V - 50 Hz
Made of nylon reinforced with glass.*

Articolo Art.	Watt	Ampere Amps	μF	m^3/h	Giri Rpm	dB (A)	A	B	C	D	E
VPR.133	26	0.12	1	170	2650	50	133	94	42	53.6	77.5
VPR.175	51	0.23	2	410	2460	63	175	131	44	63	67.5
VPR.180	50	0.25	2	380	2500	63	180	133	30	58	66
VPR.190	57	0.25	2	520	2440	67	190	133	44	63	68.5
VPR.220	85	0.37	3	810	2500	65	220	162	44	64	71
VPR.250	160	0.72	4	1350	2460	70	250	175	57	89	96
VPR.280	250	1.17	8	1550	2510	76	280	189	50	80	103.5
VPR.310	130	0.60	4	1610	1380	64	315	220	100	137	161

VENTILATORI RADIALI CON PALE AVANTI

RADIAL FANS WITH FORWARD BLADES



Ventilatori a semplice aspirazione, monofasi, a 2 poli, con condensatore permanente.
230 V - 50 Hz
La ventola è costruita in lamiera zincata.
Classe d'isolamento B

*Suction fans, single-phase, 2-poles, with permanent condenser.
230V - 50 Hz
Fan made of galvanised sheet.
Insulation class B*

Articolo Art.	Watt	Ampere Amps	μF	m^3/h	Giri Rpm	dB (A)	A	B	C	D
VPA.108	44	0.20	1.5	155	1650	54	108	84	52	63
VPA.120	80	0.35	1.5	255	2700	45	120	92	62	85
VPA.140	90	0.35	2.5	480	2700	72	140	92	60	90
VPA.160	260	1.10	5	630	2600	75	150	92	62	72