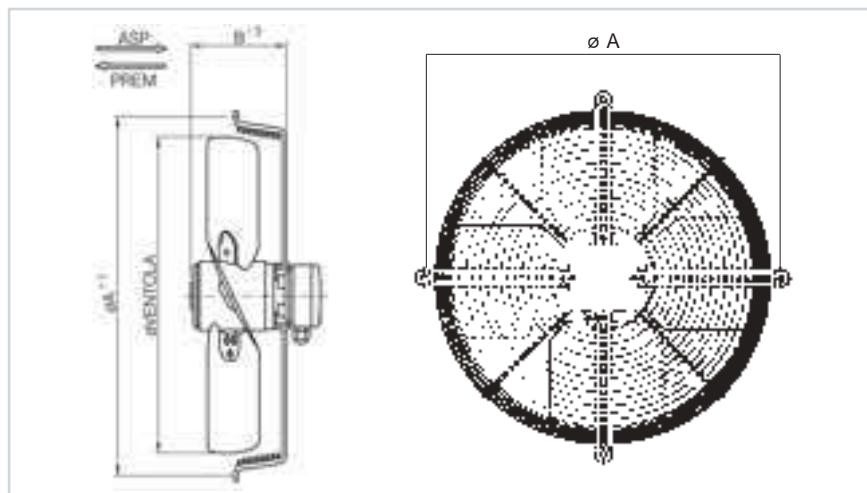


# VENTILATORI ASSIALI A ROTORE ESTERNO COMPLETI DI GRIGLIE

AXIAL BLOWERS WITH EXTERNAL ROTOR AND GRILLES

**EBM  
ZIEHL**



Articolo Art.	Potenza max W Max power W	Volt	Ø Ventola Ø Impeller	Ø A	B	m <sup>3</sup> h in aria libera m <sup>3</sup> h in free air	N. Poli No. Poles	dB (A)	Accessorio Griglia Accessory grille
<b>VLG.713</b>	43	230/400	170 A	-	62	540	2	59	-
<b>VLG.714</b>	43	230/400	170 P	-	62	540	2	59	-
<b>VLG.715</b>	50	230	170 A	-	62	500	2	62	-
<b>VLG.716</b>	50	230	170 P	-	62	500	2	62	-
<b>VLG.717</b>	50	230	200 A	260	73	740	2	65	<b>200.1</b>
<b>VLG.718</b>	50	230	200 P	260	73	740	2	65	<b>200.1</b>
<b>VLG.719</b>	53	230/400	200 A	260	73	830	2	53	<b>200.1</b>
<b>VLG.720</b>	53	230/400	200 P	260	73	830	2	53	<b>200.1</b>
<b>VLG.741</b>	110	230/400	250 A	300	83	1685	2	72	<b>250.1</b>
<b>VLG.742</b>	110	230/400	250 P	300	83	1685	2	72	<b>250.1</b>

Articolo Art.	Potenza max W Max power W	Volt	Ø Ventola Ø Impeller	Ø A	B	m <sup>3</sup> h in aria libera m <sup>3</sup> h in free air	N. Poli No. Poles	dB (A)	Accessorio Griglia Accessory grille
<b>VLG.721</b>	115	230	250 A	300	83	1610	2	72	<b>250.1</b>
<b>VLG.722</b>	115	230	250 P	300	83	1610	2	72	<b>250.1</b>
<b>VLG.723</b>	30	230	250 A	300	72	910	4	56	<b>250.1</b>
<b>VLG.724</b>	30	230	250 P	300	72	910	4	56	<b>250.1</b>
<b>VLG.725</b>	85	230	300 A	360	83	1690	4	65	<b>300.1</b>
<b>VLG.726</b>	85	230	300 P	360	83	1690	4	65	<b>300.1</b>
<b>VLG.727</b>	85	230/400	300 A	360	83	1740	4	66	<b>300.1</b>
<b>VLG.728</b>	85	230/400	300 P	360	83	1740	4	66	<b>300.1</b>
<b>VLG.729</b>	140	230	350 A	422	102	2850	4	68	<b>350.1</b>
<b>VLG.730</b>	140	230	350 P	422	102	2850	4	68	<b>350.1</b>
<b>VLG.731</b>	145	230/400	350 A	422	102	2900	4	69	<b>350.1</b>
<b>VLG.732</b>	145	230/400	350 P	422	102	2900	4	69	<b>350.1</b>
<b>VLG.743</b>	150	230	400 A	470	102	3660	4	70	<b>400.1</b>
<b>VLG.744</b>	135	230	400 P	470	102	3975	4	70	<b>400.1</b>
<b>VLG.733</b>	150	230/400	400 A	470	102	3800	4	70	<b>400.1</b>
<b>VLG.734</b>	145	230/400	400 P	470	102	4150	4	67	<b>400.1</b>
<b>NOVITÀ NEW VLG.739</b>	245	230	450 A	522	98	5800	4	73	<b>450.1</b>
<b>NOVITÀ NEW VLG.740</b>	245	230	450 P	522	98	5800	4	73	<b>450.1</b>
<b>VLG.735</b>	450	380	450 A	522	141	6200	4	79	<b>450.1</b>
<b>VLG.736</b>	450	380	450 P	522	141	6200	4	79	<b>450.1</b>
<b>VLG.737</b>	240	380	500 A	565	161	5700	6	69	<b>500.1</b>
<b>VLG.738</b>	240	380	500 P	565	161	5700	6	69	<b>500.1</b>
<b>VLG.745</b>	520	220	630 A	750	161	9700	6	76	-
<b>VLG.746</b>	930	380	630 A	750	161	10800	6	78	-

A = Aspirante / In P = Premente / Out

Su richiesta è possibile fornire serie FC e FE ZIEHL.  
Series FC and FE ZIEHL available on request.