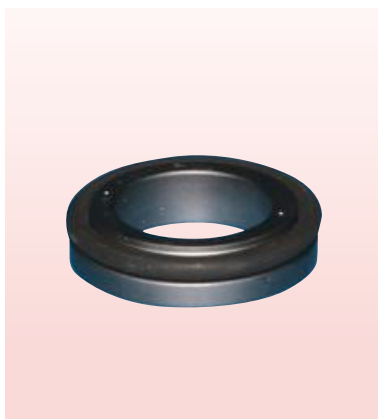


TENUTE MECCANICHE

MECHANICAL SEALS

SERIE / SERIES FG2

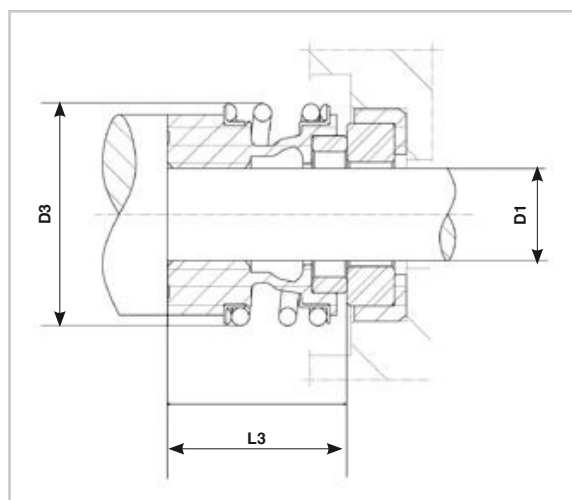


INTERCAMBIABILI CON TENUTE ORIGINALI.

APPLICABILI PRINCIPALMENTE SU POMPE DELLE SEGUENTI MARCHE: ROBUSCHI, F.I.P.

SUITABLE WITH ORIGINAL SEALS.

SUITABLE FOR THE FOLLOWING PUMP BRANDS: ROBUSCHI, F.I.P.



TENUTA

Carburo di silicio. Molla acciaio AISI 316. Guarnizioni in Viton®.

Seal

Silicon carbide. AISI 316 steel spring. Viton® gaskets.

CONTROFACCIA - Carburo di silicio. Guarnizioni in Viton®.

Counterface - Silicon carbide. Viton® gaskets.

SENSO DI ROTAZIONE - Indipendente

Direction of rotation - Independent

LIMITI D'IMPIEGO

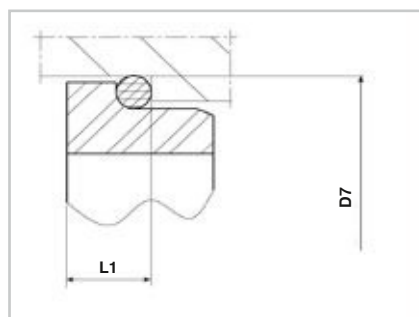
$p= 12 \text{ bar} - v= 10 \text{ m/s} - t= -30^{\circ}\text{C} + 200^{\circ}\text{C}$ (acqua calda max 120°C)

Limits of use

$p= 12 \text{ bar} - v= 10 \text{ m/s} - t= -30^{\circ}\text{C} + 200^{\circ}\text{C}$ (hot water max 120°C)

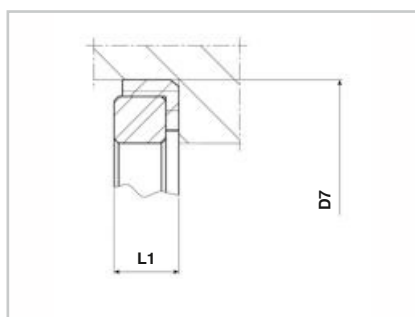
Controfaccia tipo CC6

Counterface type CC6



Controfaccia tipo CM60

Counterface type CM60



TENUTE MECCANICHE

MECHANICAL SEALS

TENUTA <i>Seal</i>				CONTROFACCIA TIPO CC6 (O-RING) CON MISURE DI MONTAGGIO DIN 24960 - EN12756 <i>Counterface type CC6 (o-ring) with DIN 24960 - EN12756 sizes</i>			CONTROFACCIA TIPO CM60 (CUFFIA) CON MISURE DI MONTAGGIO DIN 24960 - EN12756 <i>Counterface type CM60 (cap) with DIN 24960 - EN12756 sizes</i>		
Articolo <i>Art.</i>	D1	D3	L3'	Articolo <i>Art.</i>	D7	L1	Articolo <i>Art.</i>	D7	L1
FG2.12	12	25.5	25.9	CC6.12	23	6.6	CM60.12	23	6.6
FG2.15	15	28.5	28.4	CC6.15	25	6.6	CM60.15	25	6.6
FG2.16	16	28.5	28.4	CC6.16	27	6.6	CM60.16	27	6.6
FG2.18	18	32	30	CC6.18	33	7.5	CM60.18	33	7.5
FG2.20	20	36	30	CC6.20	35	7.5	CM60.20	35	7.5
FG2.22	22	36	30	CC6.22	37	7.5	CM60.22	37	7.5
FG2.24	24	41	32.5	CC6.24	39	7.5	CM60.24	39	7.5
FG2.25	25	41	32.5	CC6.25	40	7.5	CM60.25	40	7.5
FG2.28	28	49	35	CC6.28	43	7.5	CM60.28	43	7.5
FG2.30	30	49	35	CC6.30	45	7.5	CM60.30	45	7.5
FG2.32	32	53.5	35	CC6.32	48	7.5	CM60.32	48	7.5
FG2.33	33	53.5	35	CC6.33	48	7.5	CM60.33	48	7.5
FG2.35	35	57	35	CC6.35	50	7.5	CM60.35	50	7.5
FG2.38	38	59	36	CC6.38	56	9.0	CM60.38	56	9.0
FG2.40	40	62	36	CC6.40	58	9.0	CM60.40	58	9.0
FG2.43	43	65.5	36	CC6.43	61	9.0	CM60.43	61	9.0
FG2.45	45	68	36	CC6.45	63	9.0	CM60.45	63	9.0
FG2.48	48	70.5	36	CC6.48	66	9.0	CM60.48	66	9.0
FG2.50	50	74	38	CC6.50	70	9.5	CM60.50	70	9.5
FG2.53	53	78.5	36.5	CC6.53	73	11.0	CM60.53	73	11.0
FG2.55	55	81	36.5	CC6.55	75	11.0	CM60.55	75	11.0
FG2.60	60	88.5	41.5	CC6.60	80	11.0	CM60.60	80	11.0
FG2.65	65	93.5	41.5	CC6.65	85	11.0	CM60.65	85	11.0
FG2.70	70	99.5	48.7	CC6.70	92	11.3	CM60.70	92	11.3

Oltre il diam.50 si consiglia di montare una controfaccia con asola in quanto la spina di rotazione permette una maggiore tenuta dell'anello stazionario. Chiedere la quotazione al nostro ufficio commerciale.

Above diameter 50, it is recommended to fit a counterface with slot, since the rotating pin allows greater hold than the stationary ring. Ask for a separate quotation.

Su richiesta e' possibile fornire tenute con diametri diversi da quelli illustrati.

Seals with different diameters from those listed can be supplied on request.