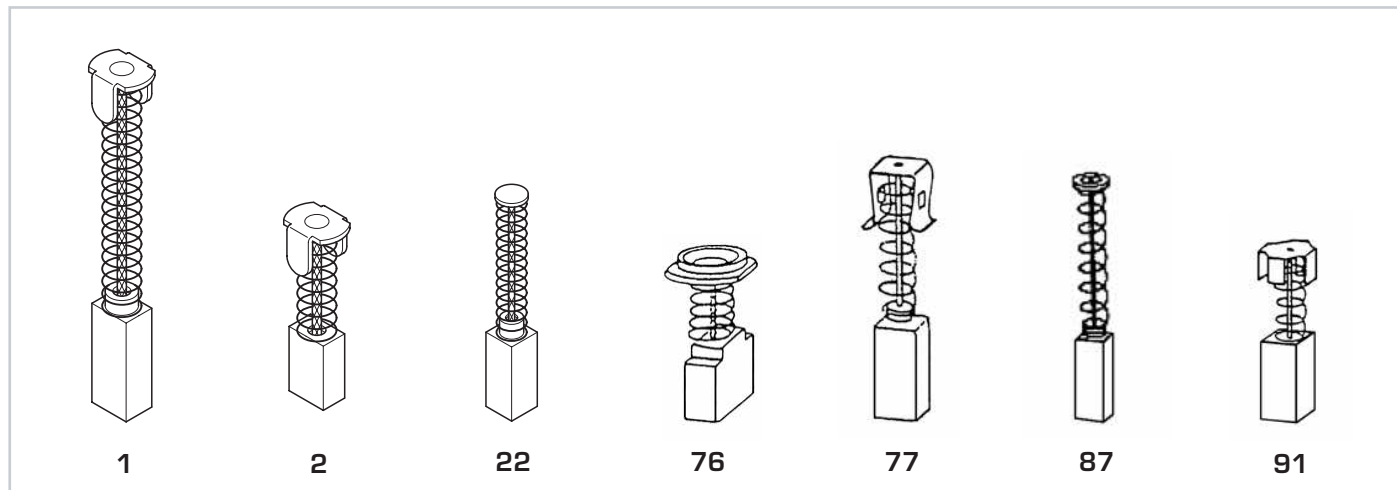


# SPAZZOLE ADATTABILI PER UTENSILI

## ADAPTABLE BRUSHES FOR TOOLS

**MAKITA**



Articolo Art.	Dimensioni mm. Dimensions mm.	Impiego Use	Figura Figure
<b>1734</b>	5x5x6/7	<b>SMERIGLIATRICE / LAPPING MACHINE</b> - 903	22
<b>1732</b>	5x8x9/14	<b>TRAPANO / DRILL</b> - BA3000 <b>SEGHETTI / SMALL SAWS</b> - G1600 - LS1600 - JN1600	1
<b>1733</b>	5x8x10/12	<b>TRAPANI / DRILLS</b> - 8410D - 8410BV	1
<b>1731</b>	5x8x13	<b>TRAPANI / DRILLS</b> - 6300/4 - 8419/B-9045	2
<b>2181</b>	5x11x16.5	<b>MARTELLI / HAMMERS</b> - HM1100 - HM1100C/CS HM1100S - HM1130 - HR3000C - HR4000C	76
<b>2182</b>	5x11x16.5	<b>TRAPANO / DRILL</b> - DA4000LR <b>SEGA CIRCOLARE / CIRCULAR SAW</b> - 5017RKB - 5603R - 5604R 5703R - 5704R - 5705R <b>SMERIGLIATRICI / LAPPING MACHINES</b> - 9015B - 9016B <b>LEVIGATRICI / SANDERS</b> - 9227CB - 9403 - 9404 - 9903 - 9920 <b>SEGA A GATTOCCIO DRITTA / TURNING SAW</b> GV7000C - PV7000C <b>FRESATRICE / SPINDLE MOULDER</b> - UC3501A - UC4001A <b>SOFFIATRICE / BLOWER</b> - RP0910C - RP1110C - UB1101	76
<b>2183</b>	6x9x11	<b>TAGLIASIEPE / HEDGE CUTTER</b> - UH4850 - UH5550 - UH6350 <b>MINI SMERIGLIATRICE / MINI LAPPING MACHINE</b> - 910 - N910 <b>TRAPANO A PERCUSSIONE / PERCUSSION DRILL</b> - 8450K - 8451K HP1500 - HP1501/K - HP2030 - HP2031 - HP2033 - HP2040 HP2041 - HP2042 - HP2051 - H2051F <b>TRAPANI / DRILLS</b> - 800 - N800 - 6310 - 6408 - 6410 - DP3002 DP4000 - DP4002 <b>MARTELLI / HAMMERS</b> - HR2410 - HR2020 - HR2431 - HR2440 HR2440F - HR2450 - HR2450F - N4304 - N4305 - 4304 - 4304T - 4305 <b>SEGHETTO ALTERNATIVO/ HACK SAW</b> - 4305T - 4340T - 4340CT 4340FCT - 4341CT - 4341FCT <b>AVVITATORI / TORQUE MACHINES</b> - 6807 - 6821 - 6823 - 6824 - 6825 - 6826 - 6827 <b>LEVIGATRICE ORBITALE / ORBITAL SANDER</b> - 9046 - B04900V - B04901 - B05000 - B05001	77

<b>Articolo</b> <i>Art.</i>	<b>Dimensioni mm.</b> <i>Dimensions mm.</i>	<b>Impiego</b> <i>Use</i>	<b>Figura</b> <i>Figure</i>
<b>2184</b>	6x9x12	<b>SMERIGLIATRICE ANGOLARE / ANGLE LAPPING MACHINE</b> - 9031 <b>MINI SMERIGLIATRICE / MINI LAPPING MACHINE</b> - 9501BM - 9505BM 9520NB - 9521NB - 9522NB - 9524NB - 9525NB - 9527 - 9527NB - 9527NBK - 9528 - 9528NB - N9500N <b>MARTELLI / HAMMERS</b> - N9501B - N9501BH - N9503BH <b>SEGA CIRCOLARE / CIRCULAR SAW</b> - 500 - N500 <b>RODITRICE / NIBBLING MACHINE</b> - JN1601 <b>AVVITATORE AD IMPULSI / IMPACT WRENCH</b> - 6950 <b>LEVIGATRICE A NASTRO / BELT SANDER MACHINE</b> - 9011 - 9031 - 9910 - 9911 - 9032 <b>AVVITATORE / TORQUE MACHINE</b> - 6830 - 6832 - 6833 - 6834 - 6951 <b>FRESATRICI / SPINDLE MOULDERS</b> - 3703 - 3704 - 3707 - 3707F - 3707FC - 3901 - 4402	87
<b>1960</b>	6x10x15/19	<b>MARTELLI / HAMMERS</b> - HR2210 - 8035NB	1
<b>1737</b>	6x10x16/15	<b>LEVIGATRICI / SANDERS</b> - 9900 - 9900B - 9218SB - 9218PB <b>PIALLE / PLANERS</b> - 1001 - 1100 <b>SMERIGLIATRICI / LAPPING MACHINES</b> - 9005B - 9006B <b>SEGHETTO / SMALL SAW</b> - 4200N	2
<b>1072</b>	6x10x16/15	<b>PIALLE / PLANERS</b> - 1911B - 3608B <b>TRAPANI A PERCUSSIONE / PERCUSSION DRILLS</b> - HP2010 - HP2010N - HP2000	91
<b>2185</b>	6.5x13.5x16 Con autostacco with automatic disconnection	<b>MARTELLI / HAMMERS</b> - HM1200 - HM1200B - HM1200K - HM1201 - HM1202C - HM1300 - HM1300K - HM1301 - HM1400 - HM1400K - HR3600B - HR3850 - HR3850B - HR3850K - HR4500C - HR5000 - HR5000K - HR5001C - HR6000K <b>TRAPANO / DRILL</b> - 5100DR - 5103 - 5201 - 5401 - 5402 - 5500S - 5700 - 5800 - 5900B - 5900DR - 7104L - 7305H - 7605L - 8900 <b>SMERIGLIATRICE ANGOLARE / ANGLE LAPPING MACHINE</b> - 9400B - 9401 - 9402 - 9607B <b>SEGA A CATENA / CHAIN SAW</b> - 5011NB - 5014NB - 5016NB	1
<b>1740</b>	6.5x13.5x16	<b>PIALLA / PLANER</b> - 1805 <b>LEVIGATRICI / SANDERS</b> - 2400 - 2412N - 2414 - 2415 <b>SMERIGLIATRICI / LAPPING MACHINES</b> - 9609NB - 9401 - 9607 - 9400B 9067B - 9609B - 9606NB - 9607NB - 9607HB - 9609HB <b>CESOIE / SHEARS</b> - 2412N - 2414 <b>SEGHETTO / SMALL SAW</b> - 5012B <b>DEMOLITORI / DEMOLITION HAMMERS</b> - HM1500 - 1400 - 1800	2
<b>2187</b>	7x11x16.5	<b>SEGHE CIRCOLARI / CIRCULAR SAWS</b> - GA5021C <b>MOLATRICI / GRINDER</b> - GA6021C	22
<b>2186</b>	7x18x16	<b>SMERIGLIATRICE ANGOLARE / ANGLE LAPPING MACHINE</b> - 9027 - 9027F 9027S - 9027SF - 9029 - 9029F - 9029SF - 9037F - 9037SF - 9039 - 9039F - 9039S - 9039SF - 9047/F - 9049 - 9049SF - 9059 - 9059SF - 9629S - N9047SF - N9057SF - 9067 - 9069 - 9077SF - 9079SF <b>FRESATRICE / SPINDLE MOULDER</b> - 3612 - 3612C <b>TRONCATRICE A DISCO / DISK CUTOFF SAW</b> - 2414B - 2414NB - LC1230 <b>MARTELLI / HAMMERS</b> - HM1303 - HM1303B - HM1500 - HM1500B - HM1800 <b>SEGA CIRCOLARE / CIRCULAR SAW</b> - 5103 - 5103R - 5143R - 5903R	1