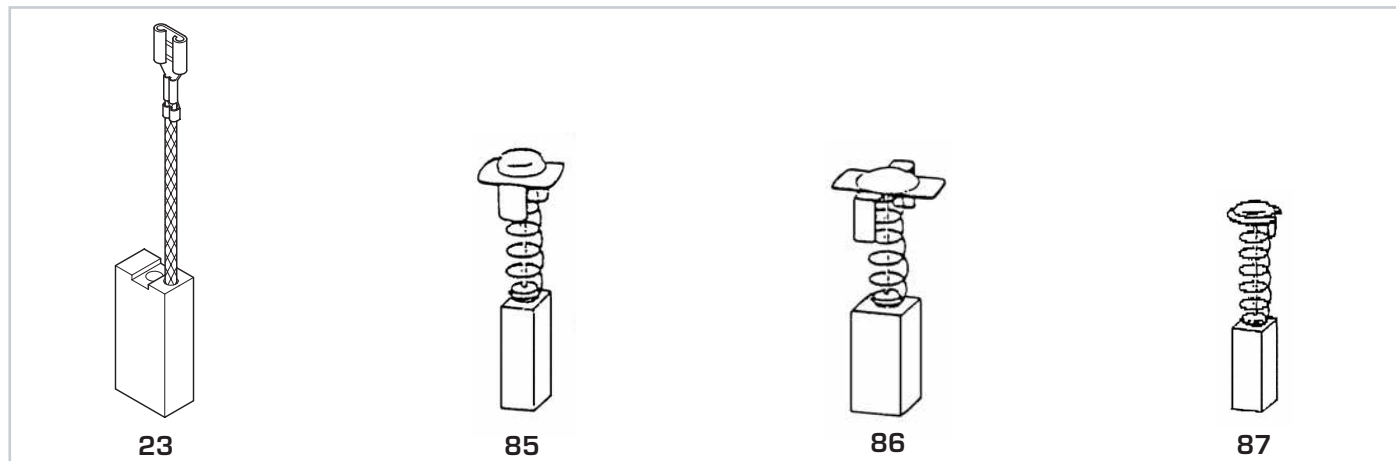


SPAZZOLE ADATTABILI PER UTENSILI

ADAPTABLE BRUSHES FOR TOOLS

HITACHI - DIAMOND



Articolo Art.	Dimensioni mm. Dimensions mm.	Impiego Use	Figura Figure
2226	6.5x7.5x13	HITACHI: AVVITATORE AD IMPULSI / <i>IMPACT WRENCH</i> - W4YE - W4YF - WH12 - WH14 - WH16 CESCOIA / <i>SHEARING UNIT</i> - CB10VA - CE16 - CN16 SEGNETTO ALTERNATIVO / <i>HACK SAW</i> - CJ60/60V/60T - CJ65/65SI /65V/65VA/65VB/65VE/65VAI PIALLETTO ELETTRICO / <i>ELECTRIC PLANER</i> - F20A - PDA100D -P20SB MINI SMERIGLIATRICE / <i>MINI LAPPING MACHINE</i> - CP2 - CP12B/S1/SA/YB1 - FG12SA2 - G10D1/SB1/SF/SG/SK/SP/SR - G12S1/SA/SG/SR - G13SA/SB/SG/YB/YB1 LEVIGATRICE / <i>SANDER</i> - SO110/SOD110 - SP13 FRESATRICE / <i>SPINDLE MOULDER</i> - TR6/A/1APLUS - M6SA/SB LEVIGATRICE ORBITALE / <i>ORBITAL SANDER</i> - LDV4 - SV12 - VR16/VRV16 - SAY150A TRAPANO / <i>DRILL</i> - D10YA MARTELLI / <i>HAMMERS</i> - DH20V/22V/22VA/25V TAGLIASIEPE / <i>HEDGE CUTTER</i> - FG10SA - FG12A2 SMERIGLIATRICE ANGOLARE / <i>ANGLE LAPPING MACHINE</i> - GP2 - GP2SA SOFFIATRICE / <i>BLOWER</i> - PB20	87
2221	7x11x17	HITACHI-DIAMOND: AVVITATORE AD IMPULSI / <i>IMPACT WRENCH</i> - WH22 SEGA A GATTOCCIO DRITTA / <i>TURNING SAW</i> - CR10V - CR12V - CR17Y SEGA CIRCOLARE / <i>CIRCULAR SAW</i> - C6/6U - C7/7U/7SC/75C/75D CB10V/12V/17Y - CB8B/8C/8S - CBC6 - CBSC - CM4SA2 - CM6 - F8FC/FS - FC6SA/7SA PIALLETTO ELETTRICO / <i>ELECTRIC PLANER</i> - F30A/AT - P30 - PDH125 - PH40 - PR25B/38E - PSU6 - PUPM3 ASPIRAPOLVERE / <i>ASPIRATOR</i> - NUPSR3 - NUSR - NUSR5 LEVIGATRICE A NASTRO / <i>BELT SANDER</i> - S15 - SB8T - SB10T - SB10V/75 - SP18/18T/18V MINI SMERIGLIATRICE / <i>MINI LAPPING MACHINE</i> - G13SC - G15SA LEVIGATRICE / <i>SANDER</i> - SAT180 - SAT182 TRAPANI / <i>DRILLS</i> - D13 - D13SA - D13Y - DC120V - VR38 - VTP16A - VTV16 MARTELLI / <i>HAMMERS</i> - BM25Y - BM50/50SA - BUPN3 - DH28Y - DH38YA/YB/YB1/YF - DH40FA/MA/SA/YB - DH42 - DMT16 - DMT16N - DMR13 - DMV16 - H41 - H45SA - H50 - H50SA TRONCATRICI / <i>CUTOFF SAWS</i> - C8FA - C8FB - C8FC - C8FS	85

HITACHI - DIAMOND

Articolo Art.	Dimensioni mm. Dimensions mm.	Impiego Use	Figura Figure
2227	7x13x17	HITACHI: PIALLETTO ELETTRICO / ELECTRIC PLANER - P20SD/P40/P50 - P50K - P50SA - PG21SA LEVIGATRICE A NASTRO / BELT SANDER - SB110 FRESATRICE / SPINDLE MOULDER - MB12SB - TR12 SMERIGLIATRICI / LAPPING MACHINES - G18DF - G18SC - G18SD - G23SA/SB - GP13 SEGA A CATENA / CHAIN SAW - C6SA - C7BD - C7SB - C10FB - C75B - C12 - C13 - CC12SA/14SA - CS28B - CS280A - CS35B - CS350A SEGA CIRCOLARE / CIRCULAR SAW - C8 - C8U - C8V - C9U - PSM7 LEVIGATRICE / SANDER - SAH180 - SR15 MARTELLI / HAMMERS - BLU4 - DH50SA - DH50SA1 - DH50SB - DH55 - DUPN2 - H55A/SC CESOIA / SHEARING UNIT - CN45SA RODITRICE / NIBBLING MACHINE - CN60SA TRONCATRICE / CUTOFF SAW - HU12 - HU14	85
2228	7x17x17	HITACHI: SEGA CIRCOLARE / CIRCULAR SAW - PSM8/9 - PSU7/8/9/13/14 - C13U - CM12Y PIALLETTO ELETTRICO / ELECTRIC PLANER - P12R/A - P100F/ PDH180C - PH65A - PS15A SMERIGLIATRICI / LAPPING MACHINES - G18SE/SE2/SG/SH/SF/U/ UA/UB - G23SC/SC2/SD/SE/SF/U/UA/UB - GS23V - GS23VA - GS23VB - GS231/2 - GS23SD - GS23SE - GS23SF - S23U/USA/UB/ SG/SH FRESATRICE / SPINDLE MOULDER - M12SA/V MARTELLI / HAMMERS - H65SA - H90SA - BM25 - H65SB - H90SB - H90SC - DH50MB - C10FA/15FB/CB75/CB75F/YC14 SEGHETTO ALTERNATIVO / HACKSAW - 2+SA - CD12F/C13SA- FCJ55V - H85 - F1000A TAGLIASIEPE / HEDGE CUTTER - CC12/Y - CC14 - CC16SA TRONCATRICE / CUTOFF SAW - C12FA	86
2222	7x17x17	HITACHI-DIAMOND: SEGA CIRCOLARE / CIRCULAR SAW - PSM8/9 - PSU7/8/9/13/14 - C13U - CM12Y PIALLETTO ELETTRICO / ELECTRIC PLANER - P12R/A - P100F/ PDH180C - PH65A - PS15A SMERIGLIATRICI / LAPPING MACHINES - G18SE/SE2/SG/SH/SF/U/ UA/UB - G23SC/SC2/SD/SE/SF/U/UA/UB - GS23V - GS23VA - GS23VB - GS231/2 - GS23SD - GS23SE - GS23SF - S23U/USA/UB/ SG/SH FRESATRICE / SPINDLE MOULDER - M12SA/V MARTELLO / HAMMER - H65SA - H90SA - BM25 - H65SB - H90SB - H90SC - DH50MB - C10FA/15FB/CB75/CB75F/YC14 SEGHETTO ALTERNATIVO / HACK SAW - 2+SA - CD12F/C13SA- FCJ55V - H85 - F1000A TAGLIASIEPE / HEDGE CUTTER - CC12/Y - CC14 - CC16SA TRONCATRICE / CUTOFF SAW - C12FA	86
 2223	7x17x23	SMERIGLIATRICE / LAPPING MACHINE - 63MR	23