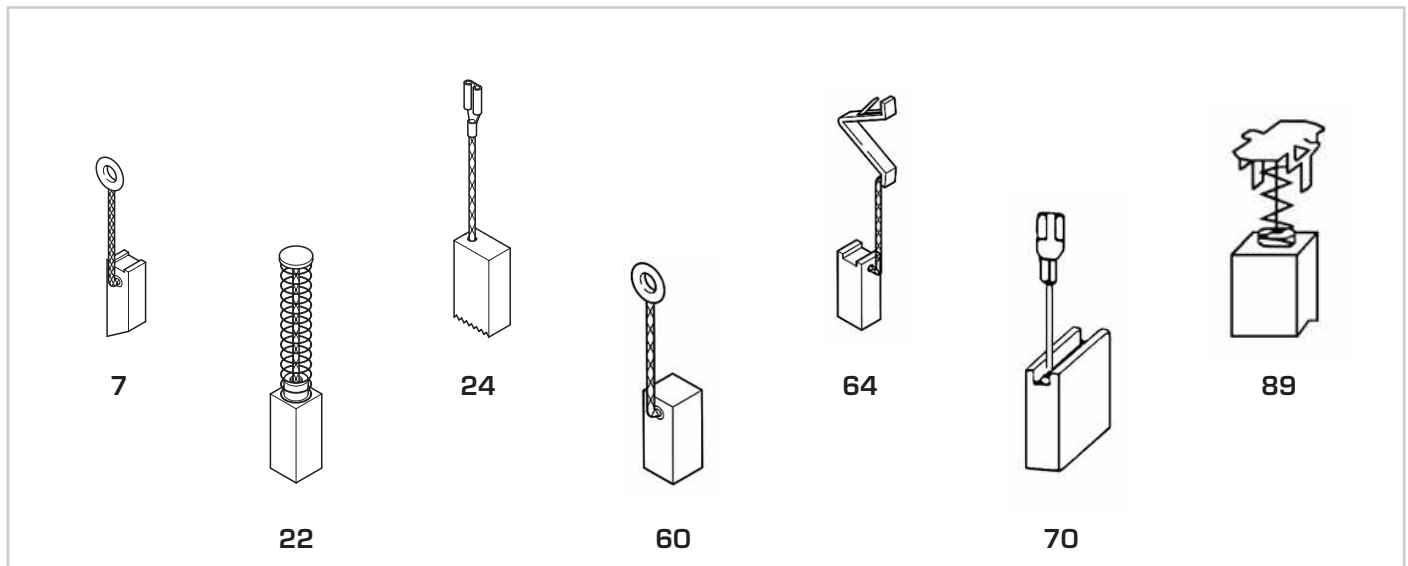


SPAZZOLE ADATTABILI PER UTENSILI

ADAPTABLE BRUSHES FOR TOOLS

BOSCH

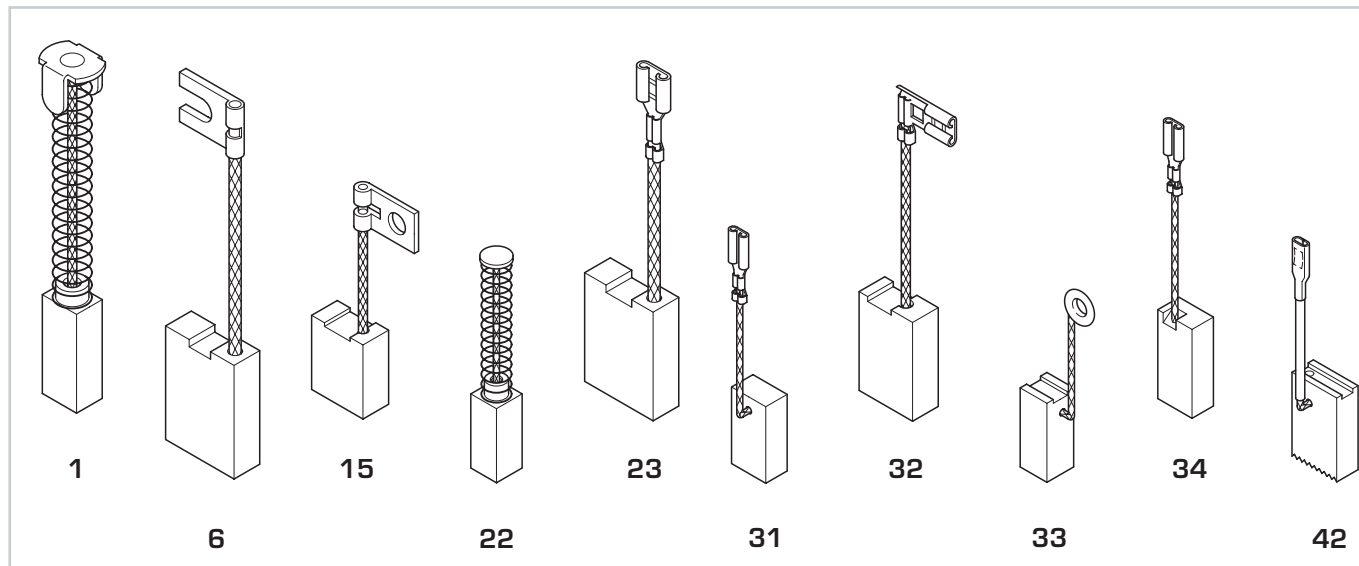


Articolo Art.	Dimensioni mm. Dimensions mm.	Impiego Use	Figura Figure
1850	4x5x12	GIRAVITE / SCREW DRIVER - EW/URJ54	64
1871	4.2x5x11	TRAPANI SCINTILLA / SPARK DRILLS - GEF/1-2-3	60
1906	4.3x4.8x15	TRAPANI / DRILLS - 1116 - 1109 SMERIGLIATRICI / LAPPING MACHINES - 203 - 1316	7
2161	5x8x9	MARTELLI / HAMMER - GAH500DS(1121.5) - GBH2S - GBH2SE(1126.5) GBH2SR(1226.8) - GBH2.20S - GBH2.20SE - GBH2.24DS(1228.0) GBH2.24DSE(1228.6) - GBH2.24DSR(1228.7)	70
2174	5x8x11	AVVITATORI / SCREW DRIVERS - GDR 9.6V- GDR12 V-GDR 14.4V GDR 18V - GDS 12V-GDS 14.4V - GSD 18V	89
2162	5x8x14.5	TRAPANO / DRILL - 1140.1 - GSB16.2 - GSB16RE - GSB18.2(1141) GSB18.2RE(1141.6) TRAPANI / DRILLS - 117 - PSB450R	22
2163	5x8x15	MARTELLI / HAMMER - DB 500 - GBH 2 SR(1226.7) - GBH 2/20 REA GBH 2/24 DSR(1218.7) PBH 20 RF UBH 2/20 RLE - UBH 2/20 SERL	22
2164	5x8x15.5	SEGA CIRCOLARE / CIRCULAR SAW - PKS40 - PKS46 LEVIGATRICE / SANDER - GSS230A - 230AE - 280A - 280AE GEX125A - AC - 150AC - PSS280 - 280A - GBH2SE(1226.6) - GBH2/22E MARTELLI / HAMMER - GBH2/24DS(1218.0) - GBH2/24DSE(1218.6) GBH2/24(1218.5) - GAH500DSE(1221.6) - GAH500DSR - 11215.5-10.6 - UBH2/14S - UBH2/14SE - UBH2/20S - UBH2/20SE(1210.6) PIALLETTO / PLANE - PHO 50-150-200 - GHA 500DSR LEVIGATRICE A NASTRO/BELT SANDING MACHINE - PBS 60 - PBS 60E PBS 75 - PBS 75E	22
1066	5x8x15.5	SMERIGLIATRICE NUOVA / NEW LAPPING MACHINE - GWS6-115	24
1754	5x8x16	TRAPANI / DRILLS - 1179 - 1180 - 1199 - 3149 - 3163 SEGHETTI / SMALL SAWS - PST65-54-52 - PBH2 - CSB850-800-700-650 620-550-PSB400-GSB18-20-GBHH2-24	22

SPAZZOLE ADATTABILI PER UTENSILI

ADAPTABLE BRUSHES FOR TOOLS

BOSCH

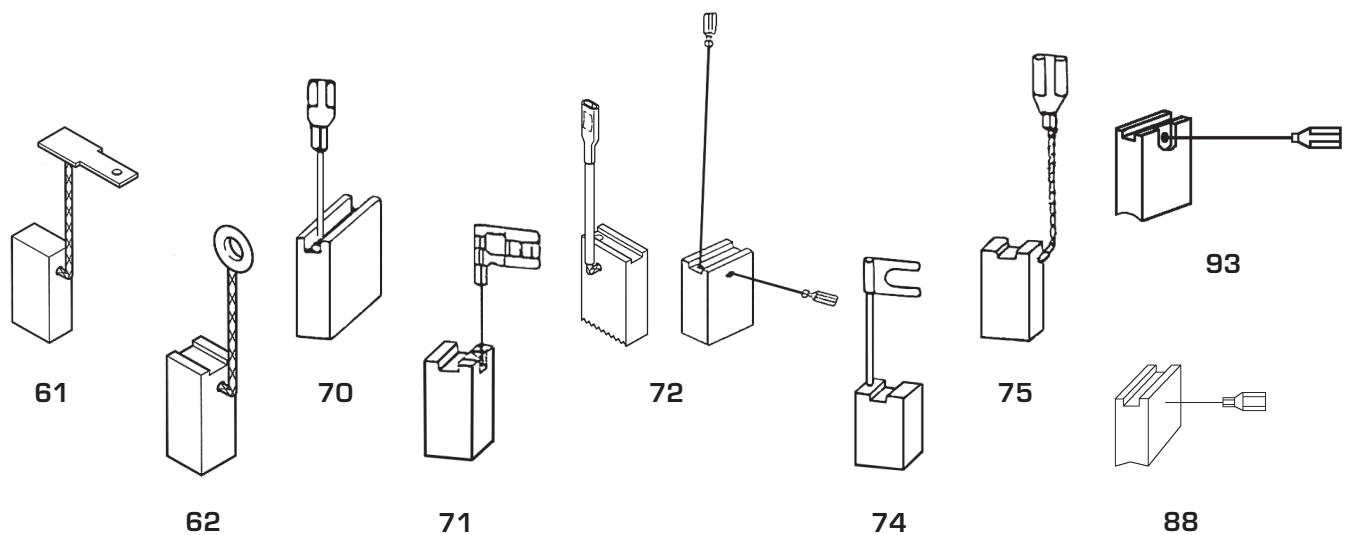


Articolo Art.	Dimensioni mm. Dimensions mm.	Impiego Use	Figura Figure
1067	5x8x17	SMERIGLIATRICE ASSIALE / AXIAL LAPPING MACHINE - GG27LC SEGHETTO / SMALL SAW - GST60PBAE SMERIGLIATRICE ANGOLARE / ANGLE LAPPING MACHINE - GWS850	31
1755	5x8x17/30 Con autostacco with automatic disconnection	SMERIGLIATRICI / LAPPING MACHINES - 1337 - 1338 - 1347 - 1348 GWS7-115 - GST60 P GST60 PAE GST85 - PWS710 - PWS6 - 115 PWS7 125-POF500	34
2165	5x8x19	MARTELLO / HAMMER - GBH 2.24 DFR	70
2166	5x10x17	MARTELLO / HAMMER - UBH4/26DS - GBH 4 DSC - GBH 4 DFE	71
2167 (coppia) (brace)	5x10x17	MINI SMERIGLIATRICE / MINI LAPPING MACHINE - GWS 10 - GWS 14 GWS 14 125/125C(1384.6/7/8/9) GWS 14 125 CS - GWS 14.150 (tutte) SMERIGLIATRICE / LAPPING MACHINE - GWS14 - 125CE - GWS14 - 150C LEVIGATRICE / SANDER - BR14C	72
1068	5x10x17 Con autostacco with automatic disconnection	SMERIGLIATRICE / LAPPING MACHINE - GWS7115-GWS9125 - GWS10-125	42
2168 (coppia) (brace)	5x10x17.5 Con autostacco with automatic disconnection	MINI SMERIGLIATRICE / MINI LAPPING MACHINE - GWS 14 125CE GWS 14 150C	72
2169	5x10x18 Con autostacco with automatic disconnection	MINI SMERIGLIATRICE ANGOLARE / ANGLE MINI LAPPING MACHINE 1701.9 - 170A GWS 9.125 - PWS10.125CE - PWS 13.125CE	88
2180	6x10x16 Con autostacco with automatic disconnection	SMERIGLIATRICE / LAPPING MACHINE GWS9-115 - GWS11-125	93
1757	6x14x23/25	CESOIA / SHEARING UNIT - 1501 RODITRICE / NIBBLING MACHINE - 1525	1
1905	6.2x6.2x15	TRAPANI / DRILLS - 1106-1107-1108	33
1063	6.2x12.5x22.5	MARTELLO / HAMMER - GBH 5/40	32
1064	6.2x16x22 Con autostacco with automatic disconnection	SMERIGLIATRICI / LAPPING MACHINES - 1322 - 1332	6
1065	6.2x16x22 Con autostacco with automatic disconnection	SMERIGLIATRICI / LAPPING MACHINES - GWS19-180 - GWS21-180 GWS24-180 - GWS18-230 - GWS19-230 - GWS21-230 GWS24/230	23

SPAZZOLE ADATTABILI PER UTENSILI

ADAPTABLE BRUSHES FOR TOOLS

BOSCH



Articolo Art.	Dimensioni mm. Dimensions mm.	Impiego Use	Figura Figure
1904F	6.2x16x22	SMERIGLIATRICI / LAPPING MACHINES - 1321 - 1322 - 1323	23
1904	6.2x16x22	SMERIGLIATRICI / LAPPING MACHINES - 1321 - 1322 - 1323	6
1875	6.3x6.3x15	SEGHETTO SCINTILLA / SPARK SMALL SAWS	61
1060	6.3x6.3x16.7/15.7	TRAPANI / DRILLS - CSB 300 - 350 - 400	22
NOVITÀ NEW 2190 (coppia) (brace)	6.3x12.5x27	MARTELLI / HAMMER - GBH 7DE	72
1759	6.3x12.5x18 Con autostacco with automatic disconnection	MARTELLI / HAMMERS - 11002 - 11305 - 11203	15
2170	6.3x16x22.5	MARTELLI / HAMMERS - 11304.0 - USH27	74
1069	6.3x16x26	MARTELLI / HAMMERS - GBH10-GSH10	23
2175	6.3x16x23	SMERIGLIATRICE ANGOLARE / ANGLE GRINDER GWS 20-180H - GWS20-180JH - GWS20-230H - GWS20-230JH GWS21-180H - GWS21-180JH - GWS21-230H - GWS21-230JH GWS24-180B - GWS24-180H - GWS24-180JB - GWS24-230H GWS24-230JH - GWS24-230JB - GWS24-180JBX - GWS24-230JBX GWS26-180H - GWS26-230B - GWS26.230H - GWS26-230JH GWS26-230JB - PWS20-230 - PWS 1900 - PWS20-230J	23
2171	6.4x12.5x19	MARTELLI / HAMMERS - 1201 - 1201.8 - 1201.9 - 1302 - 11209.1 - 11214 - 11302 - 11305 - GBH7/45 - GBH7/45DE - GBH8DCE - GBH8/65DCE - UBH10/50 - UBH12/50 - USH10	15
NOVITÀ NEW 2199	6.5x8x13	MULTI ATTREZZO - MOLATRICI / MULTI TOOL GRINDER 60P-250CF - GWS7-100 - GVS7-100ET - GWS7-125ET - GWS720-MX25E	88
1903	6.5x8x15	TRAPANI / DRILLS - 1110 - 1111 - 1112 - 1113 - 1403 - 1461 - 1173	62
1758	6.5x10x17	MARTELLI / HAMMER - 11205	6
2172	7x8x17	MARTELLI / HAMMERS - GBH 24 VRE 1.7AH - GBH 24 VRE 2.5AH - GBH 24 VRE 3.0AH	75
2176	7x8x18.5	SEGHE CIRCOLARI / CIRCULAR SAWS - GBB36VF-LI SEGHETTI / SMALL SAWS - GBB36V-LI	23