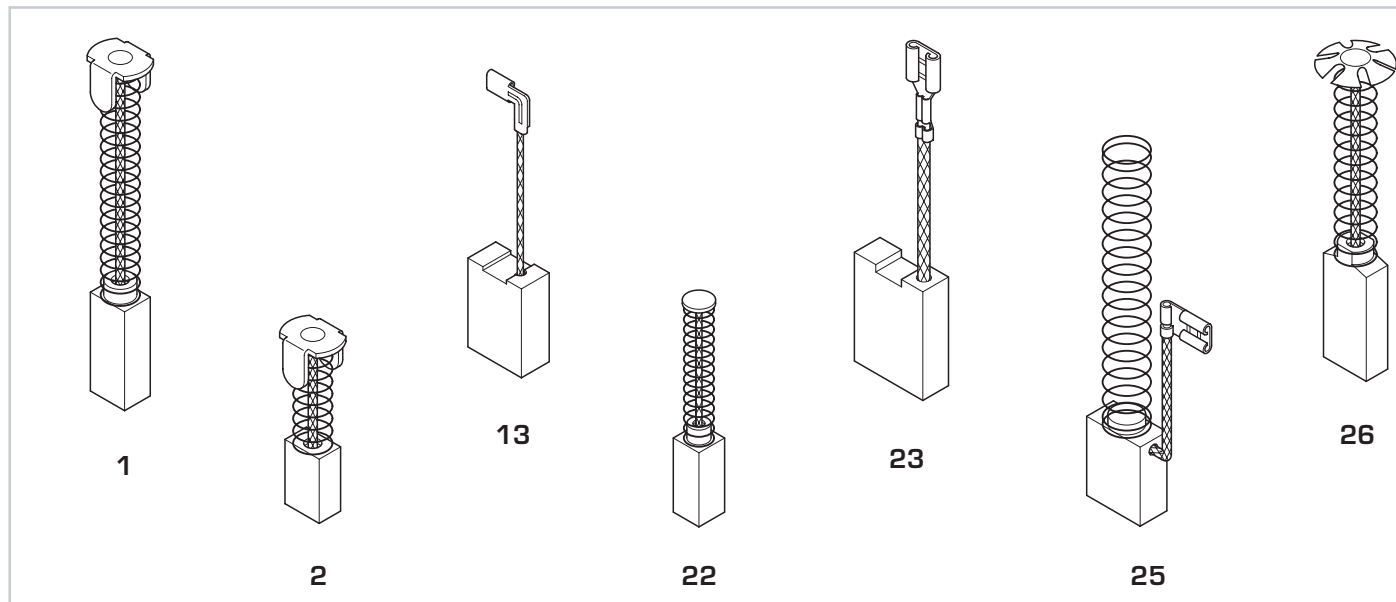


# SPAZZOLE ADATTABILI PER UTENSILI

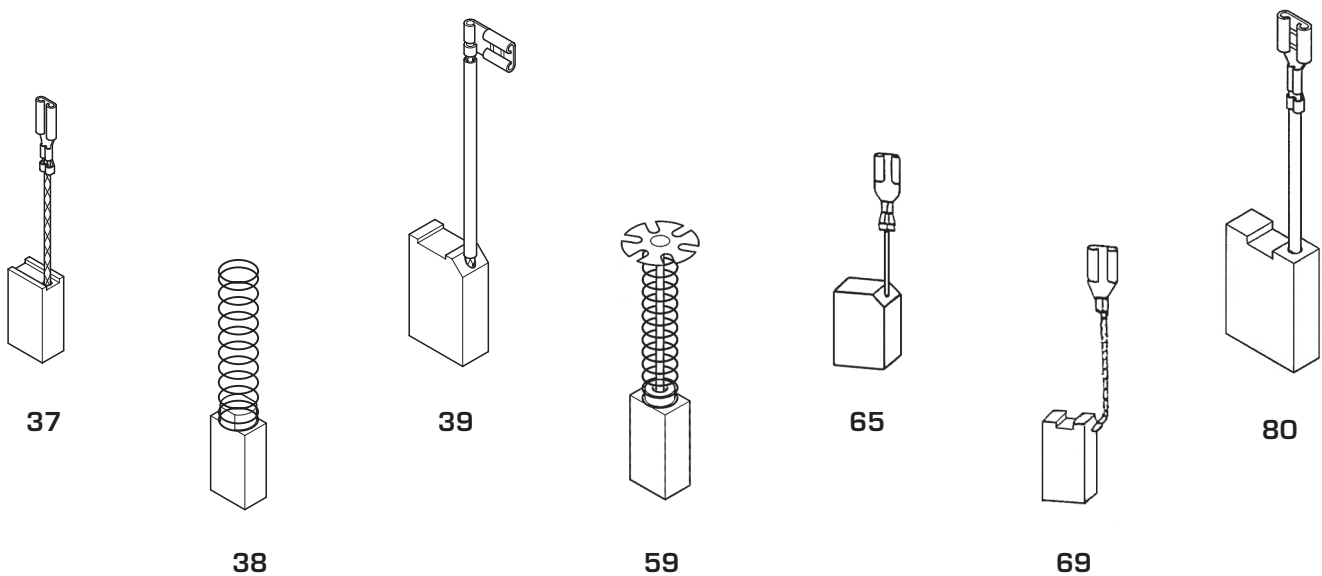
## ADAPTABLE BRUSHES FOR TOOLS

### AEG MILWAUKEE



Articolo Art.	Dimensioni mm. Dimensions mm.	Impiego Use	Figura Figure
<b>1745</b>	4x6x12/14	<b>SMERIGLIATRICI / LAPPING MACHINES</b> - WS330 - GS330	22
<b>2152</b>	5x8x14	<b>TRAPANI / DRILLS</b> - SBE15R - SBE18R - SBE520R - SB2.16N - SB2.600 - SB2E550 - SB2E600R - SB2E650R - SB2E650RL - SB2E680R - SB2E700 - SP2.16 / <b>MILWAUKEE</b> <b>MARTELLI / HAMMER</b> - PN3000R2 - PN3000XN2 / <b>MILWAUKEE</b>	2
<b>1818</b>	5x8x14/16	<b>TRAPANI / DRILLS</b> - SB2004 - SB26 - BV26A - SB4.350 - SB1330	22
<b>1748</b>	5x8x15	<b>SMERIGLIATRICI / LAPPING MACHINES</b> - WS600/601 - SB2400	37
<b>1744</b>	5x8x15/17	<b>TRAPANI / DRILLS</b> - BWE6 - SB2.350 - SBE380 - BE8-B2E13 - SBA401- SB2E501 - BE13RLD - PHE20 - RLN - SB216 - SB2E 13RL	38
<b>1746</b>	5x8x16	<b>SMERIGLIATRICI / LAPPING MACHINES</b> - WS480 - WS500/550	23
<b>1051</b>	5x8x16	<b>SMERIGLIATRICI / LAPPING MACHINES</b> - WS602 - WS710-115	37
<b>1050</b>	5x8x16.2/14.3	<b>TRAPANO / DRILL</b> - SB2 16H	1
<b>2153</b>	5x8x16.5 <b>Con autostacco</b> with automatic disconnection	<b>SMERIGLIATRICE ANGOLARE / ANGLE LAPPING MACHINE</b> AG805 125XE/115XE/125XC - 715 - 125X/115X/100/ <b>MILWAUKEE</b> <b>TRAPANO / DRILL</b> - SB22 / <b>MILWAUKEE</b>	69
<b>2155</b>	5x10x16 <b>Con autostacco</b> with automatic disconnection	<b>TRAPANI / DRILLS</b> - SBE20 - SBE750P <b>MARTELLI / HAMMERS</b> - PN2400C - PN3000X <b>SMERIGLIATRICE ANGOLARE / ANGLE LAPPING MACHINE</b> WSE 1200C-WSE 1300-WS 1000-WSCE 1300-WSL 125XL-WSSCE1300 <b>TRAPANO / DRILL</b> - SB2E20R/22R - SB2E24RT - DKE 1300 <b>MARTELLI / HAMMER</b> - PN3500-PN3500X-PN3000X2-PN3000SUPX2- PHE30RX - PHE3-PHE3X - PHE350RX2 - PHE26RX2 / <b>MILWAUKEE</b>	37
<b>1749</b>	5x10x16	<b>SMERIGLIATRICI / LAPPING MACHINES</b> - WS750/751	23
<b>1747</b>	5x10x17	<b>SMERIGLIATRICI / LAPPING MACHINES</b> - WS700	23

## AEG MILWAUKEE



Articolo Art.	Dimensioni mm. Dimensions mm.	Impiego Use	Figura Figure
<b>1052</b>	5x10x18/15	TRAPANO / <i>DRILL</i> - B2E 13 RLD	1
<b>1053</b>	5x10x18/16.5	MARTELLINO / <i>HAMMER</i> - PH38	1
<b>1771</b>	5x10x25/21	SMERIGLIATRICE / <i>LAPPING MACHINE</i> - WSA	26
<b>2151</b>	5.4x7x9	TRAPANO / <i>DRILL</i> - P18T.S14.4T.S12T.PES 12T. PES9.6.PAD12/ <b>MILWAUKEE</b> RODITRICE / <i>NIBBLING MACHINE</i> - PN 12PP/ <b>MILWAUKEE</b> SEGA A GATTOCCIO DRITTA / <i>TURNING SAW</i> - PSX 18/ <b>MILWAUKEE</b>	1
<b>2159</b>	5.9x11.1x17.5	MARTELLI / <i>HAMMERS</i> - PHF45SQ	65
<b>1752</b>	6x12.5x16/18	SEGHETTI / <i>SMALL SAWS</i> - HK50 - HK55 - HK75/CA	25
<b>1750</b>	6x12.5x21 Con autostacco with automatic disconnection	SMERIGLIATRICI / <i>LAPPING MACHINES</i> - WSA1400S - WS1400	23
<b>2160</b>	6.3x8x11.5	TRAPANI / <i>DRILLS</i> - HDEI3RQD	22
<b>1055</b>	6.3x12.5x24/20 Con autostacco with automatic disconnection	TRAPANO / <i>DRILL</i> - B432	26
<b>2157</b>	6.4x10x16	SMERIGLIATRICE / <i>LAPPING MACHINE</i> - WS1201 LEVIGATRICE / <i>SANDER</i> - WP1900 - SA1201/1200 - WSE180	13
<b>1751</b>	6.5x12.5x20	SMERIGLIATRICI / <i>LAPPING MACHINES</i> - WSA1801 - WS1801 WSE2301 - WSAE2301	39
<b>2158</b>	8x14x20	SMERIGLIATRICE ANGOLARE / <i>ANGLE LAPPING MACHINE</i> WSA 2100 moderna - WSA 2300/ <b>MILWAUKEE</b>	80
<b>1810</b>	10x16x25/28	SMERIGLIATRICI / <i>LAPPING MACHINES</i> - WSA 1400 - 48 volt	59