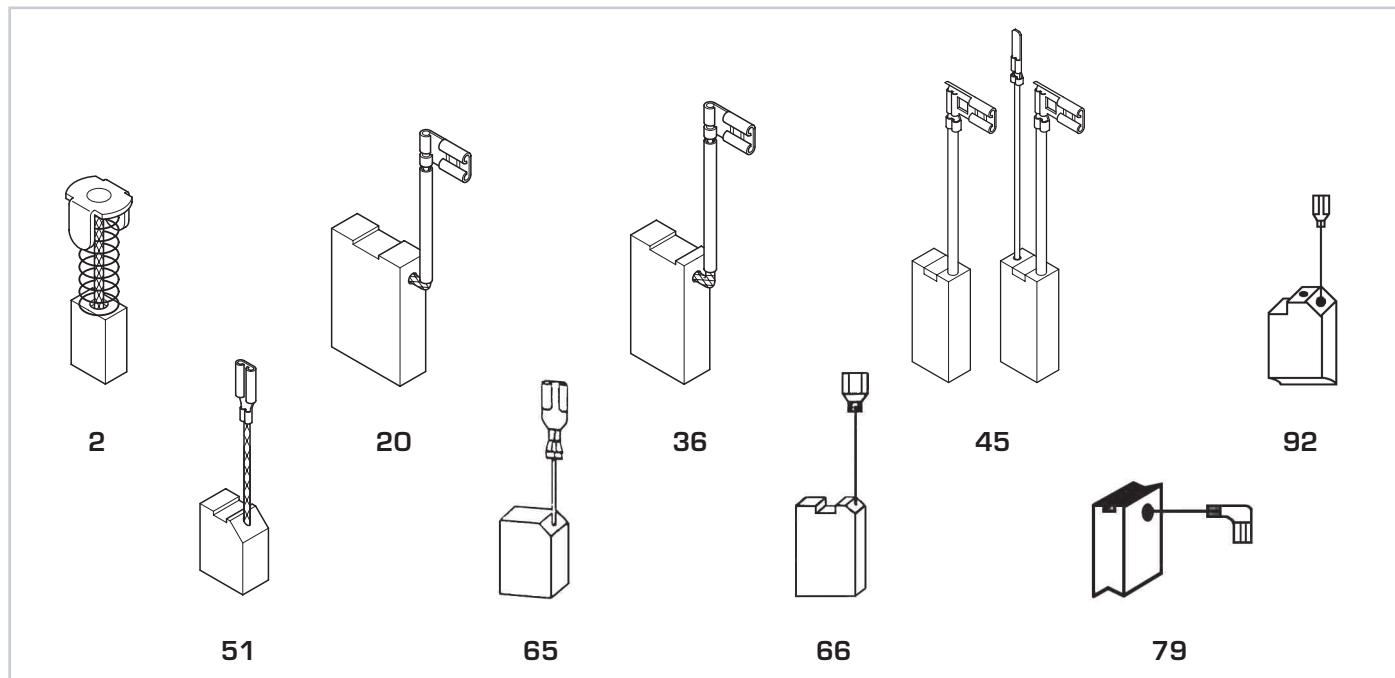


SPAZZOLE ADATTABILI PER UTENSILI

ADAPTABLE BRUSHES FOR TOOLS

DE WALT



Articolo Art.	Dimensioni mm. Dimensions mm.	Impiego Use	Figura Figure
2120	6x8x16.5	TRONCATRICE / CUT OFF SAW - BD700 - BD800 - DN57 - DN800 DN810 - DN 820 - SR300 - SR700 SEGA CIRCOLARE / CIRCULAR SAW - P3703 B&D DE WALT	2
1083 (coppia) (brace)	6x10x24 Con autostacco with automatic disconnection	MARTELLI / HAMMERS - 5097A - DW541 - 541B - 541C 543A/B/C-545A/B/C-SH50EA-50EK TRAPANI / DRILLS - P8046A-BH40E-40EK-41E-45E-46E	45
1707	6x12.5x24	SMERIGLIATRICI / LAPPING MACHINES - P59/22-BI700-P57/23 B&D DE WALT	36
2121	6.3x8x13 Con autostacco with automatic disconnection	SMERIGLIATRICI ANGOLARI / ANGLE LAPPING MACHINES DW401-DW448-DW450K-DW451K - DW806-DW811-DW816-DW818 SEGHETTO ALTERNATIVO / HACKSAW - DW321K-DW322K-DW323K-DW324 TRAPANO / DRILL - DW133	65
2122	6.3x10x14 Con autostacco with automatic disconnection	SMERIGLIATRICI ANGOLARI / ANGLE LAPPING MACHINES DW458 - DW824	66
1085	6.3x10x14	SMERIGLIATRICI ANGOLARI / ANGLE LAPPING MACHINES DW458 - DW458K-DW42E-DW42V	51
1086	6.3x10x14 Con autostacco with automatic disconnection	SMERIGLIATRICI / LAPPING MACHINES WS42E-WS42V-DW458-DW458K	51
2126	6.4x10x13 Con autostacco with automatic disconnection	SMERIGLIATRICI / LAPPING MACHINES D28135A - D28136 - D28114 - D28132C - D28141	92
1009	6.5x16x24	SMERIGLIATRICI B&D DE WALT/ LAPPING MACHINES P57/52-P59/32-P59/52-P59/53 - P57/22-P59/21-P59/41	20
2119	7.2x10.6x16	SEGHE CIRCOLARI / CIRCULAR SAWS - SEGHETTI / SMALL SAWS MESCOLATORI / MIXERS - AVVITATORI / SCREW DRIVERS D21510-D21520 - DW292-DW294-DW302-DW303K-DW304PK- DW307-DW309 - TS812E-TS815E	79