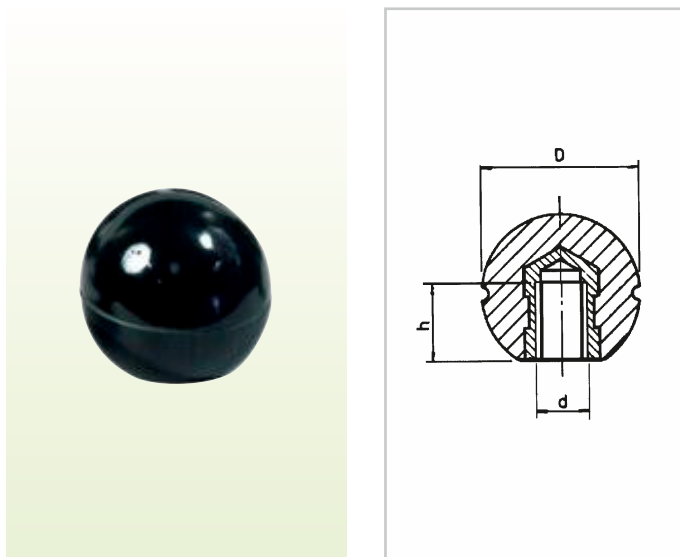


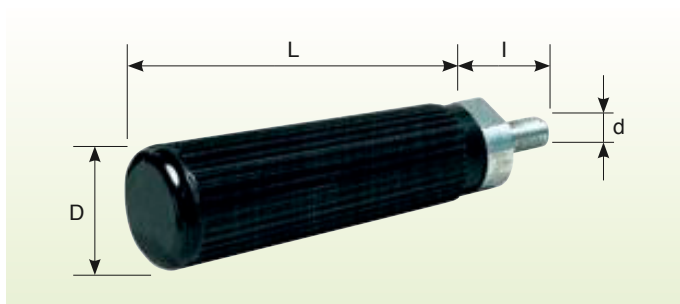
POMOLI - MANIGLIE

KNOBS - HANDLES



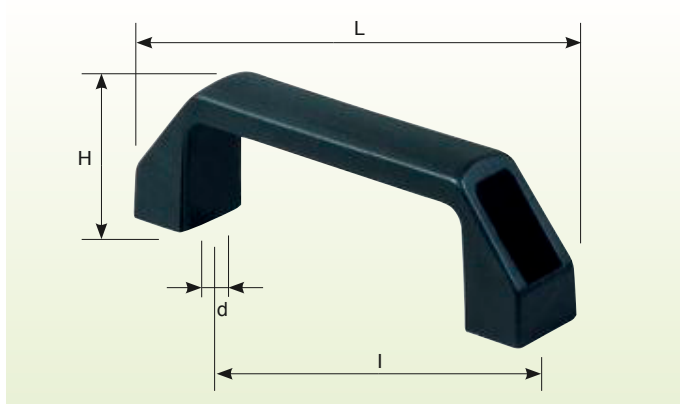
Pomoli a sfera, colore nero inserto in ottone con foro filettato.
Ball knobs, black colour brass insert with threaded hole.

| Articolo Art. | D | h | d |
|------------------|----|----|------|
| PP.382 | 18 | 8 | M.5 |
| PP.383 | 22 | 10 | M.5 |
| PP.384.6 | 26 | 13 | M.6 |
| PP.384.8 | 26 | 13 | M.8 |
| PP.385 | 30 | 15 | M.10 |
| PP.386 | 35 | 15 | M.10 |
| PP.387 | 40 | 18 | M.12 |
| PP.388 | 45 | 20 | M.14 |
| PP.389 | 50 | 20 | M.16 |
| PP.390 | 55 | 21 | M.18 |
| PP.391 | 60 | 24 | M.20 |



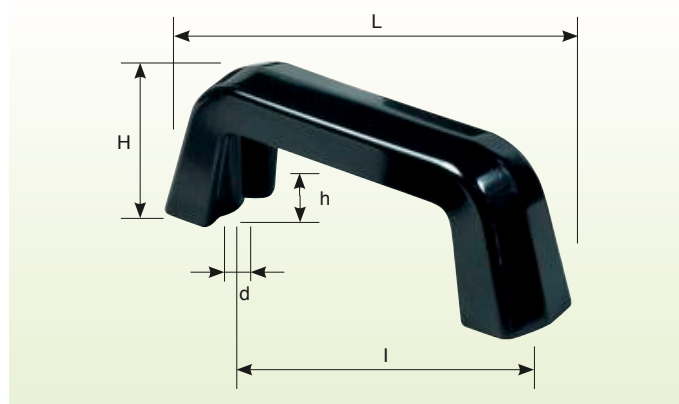
Impugnature girevoli con perno filettato.
Revolving grip with threaded pin.

| Articolo Art. | D | L | d | I | Chiave Spanner |
|------------------|----|----|------|----|-------------------|
| MA.324 | 30 | 98 | M.8 | 17 | 17 |
| MA.325 | 30 | 98 | M.10 | 17 | 17 |



Maniglia a ponte in materiale termoplastico caricato fibra vetro.
Bridge handle in glass-fibre thermoplastic material.

| Articolo Art. | H | L | Ø d | I |
|------------------|----|-----|-----|-----|
| MS.330 | 42 | 135 | 8 | 117 |



Maniglie per saldatrici.
Handles for welding units.

| Articolo Art. | H | L | d | h | I |
|------------------|----|-----|------|----|-----|
| MS.326 | 45 | 130 | M.5 | 10 | 110 |
| MS.327 | 55 | 164 | M.8 | 13 | 132 |
| MS.328 | 60 | 188 | M.10 | 18 | 150 |