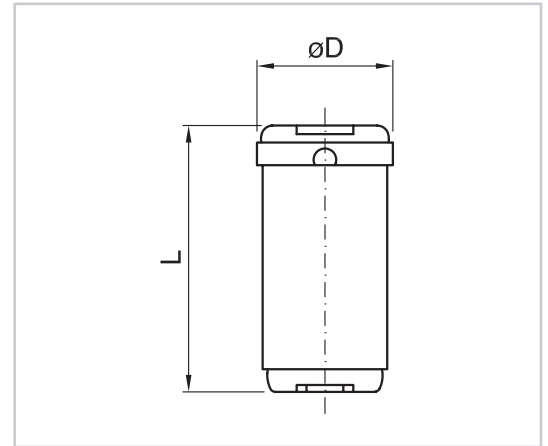


CONDENSATORI ELETTROLITICI

ELECTROLYTIC CAPACITORS

PER AVVIAMENTO MOTORI MONOFASI / FOR SINGLE-PHASE MOTORS START-UP

Tensione di lavoro 220V
operating voltage 220V



Articolo Art.	Capacità µF Capacity µF	Ø D	mm. L
CD.351	43 ÷ 52	36.5	86
CD.352	53 ÷ 64	36.5	86
CD.353	64 ÷ 77	36.5	86
CD.354	88 ÷ 106	46	98
CD.355	108 ÷ 130	46	98
CD.356	124 ÷ 149	46	98
CD.357	161 ÷ 193	46	98
CD.358	216 ÷ 260	46	98
CD.359	243 ÷ 292	52	124
CD.360	324 ÷ 389	52	124

COPERCHI IN PLASTICA PER CONDENSATORI

PLASTIC COVER FOR CAPACITORS



Articolo Art.	Diametro Diameter
CC24.25	25
CC24.30	30
CC24.35	35
CC24.40	40
CC24.45	45
CC24.50	50
CC24.55	55