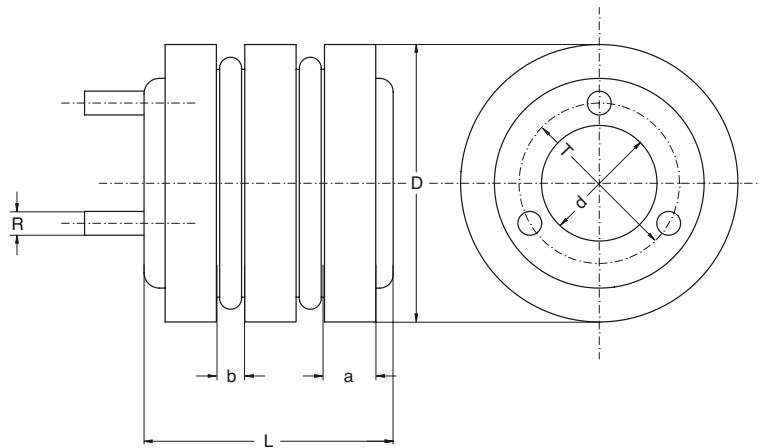


# COLLETTORI AD ANELLI

## SLIP RINGS



**SU RICHIESTA POSSIAMO FORNIRE COLLETTORI SPECIALI A DISEGNO.**  
*ON REQUEST SPECIAL SLIP RINGS CAN BE MADE TO CUSTOMER'S SPECIFICATIONS.*

### 2 ANELLI / 2 RINGS

Articolo Art.	D Ø Collettore D Slip ring Ø	a Larg. anello a ring Width	b Isolante b Insulat.	d Ø Foro max. d max Hole Ø	R Ø Perna ma R Pin Ø ma	L Altezza colett. L ring Height	Ampere ammissib. permit. Amperes
<b>6202</b>	40	7	5	18	4	30	10
<b>6203</b>	40	10	7	18	4	37	10
<b>6204</b>	52	9	7	24	5	35	20
<b>6205</b>	60	10	7	28	6	37	25
<b>6206</b>	60	12	7	28	6	41	25
<b>6207</b>	70	10	7	32	6	37	25
<b>6208</b>	70	13	6	32	6	42	25
<b>6209</b>	80	12	7	40	6	42	25
<b>6210</b>	91	12	6	42	6	41	40
<b>6211</b>	91	14	7	42	8	45	50
<b>6212</b>	91	17	8	42	8	59	100
<b>6213</b>	101	14	10	52	8	48	100
<b>6214</b>	112	8	6	55	5	34	50
<b>6215</b>	112	14	10	48	10	55	100



# COLLETTORI AD ANELLI

## SLIP RINGS

### 3 ANELLI / 3 RINGS



Articolo Art.	D Ø Collettore D Slip ring Ø	a Larg. anello a ring Width	b Isolante b Insulat.	d Ø Foro max. d max Hole Ø	R Ø Perna ma R Pin Ø ma	L Altezza colett. L ring Height	Ampere ammissib. permit. Amperes
<b>6304</b>	40	7	5	18	4	42	10
<b>6305</b>	40	10	7	18	4	54	10
<b>6306</b>	52	9	7	24	5	51	20
<b>6307</b>	60	10	7	28	6	54	25
<b>6308</b>	60	12	7	28	6	60	25
<b>6309</b>	70	10	7	32	6	54	25
<b>6310</b>	70	13	6	32	6	61	25
<b>6311</b>	80	12	7	40	6	61	25
<b>6312</b>	91	12	6	42	6	59	40
<b>6313</b>	91	14	7	42	8	66	50
<b>6314</b>	91	14	10	42	8	72	50
<b>6315</b>	91	17	8	42	8	84	100
<b>6316</b>	101	14	10	52	8	72	100
<b>6317</b>	112	8	6	55	5	48	50
<b>6318</b>	112	14	10	55	10	72	100
<b>6319</b>	121	15	10	65	12	75	100
<b>6320</b>	121	20	10	65	12	90	150
<b>6321</b>	131	20	11	70	12	100	150
<b>6322</b>	140	16	11	75	10	80	100
<b>6323</b>	140	20	15	75	12	100	150
<b>6324</b>	151	20	16	75	12	102	150
<b>6325</b>	160	25	10	75	12	106	150
<b>6326</b>	180	25	16	90	12	119	150
<b>6327</b>	200	25	17	110	14	122	200
<b>6328</b>	225	32	14	130	14	146	300
<b>6329</b>	250	30	20	150	14	150	300

### 4 ANELLI / 4 RINGS



Articolo Art.	D Ø Collettore D Slip ring Ø	a Larg. anello a ring Width	b Isolante b Insulat.	d Ø Foro max. d max Hole Ø	R Ø Perna ma R Pin Ø ma	L Altezza colett. L ring Height	Ampere ammissib. permit. Amperes
<b>6402</b>	52	9	7	24	5	67	20
<b>6403</b>	60	10	7	28	6	71	25
<b>6404</b>	60	12	7	28	6	79	25
<b>6405</b>	70	10	7	32	6	71	25
<b>6406</b>	70	13	6	32	6	80	25
<b>6407</b>	80	12	7	40	6	80	25
<b>6408</b>	91	14	7	42	8	87	50
<b>6409</b>	101	14	10	52	8	96	100
<b>6410</b>	112	8	6	55	5	62	50
<b>6411</b>	121	20	10	65	12	120	150
<b>6412</b>	151	20	10	65	12	120	150
<b>6413</b>	160	25	10	75	12	141	150